



Your Roof. For Life.™

ADVANTAGE-LOK II®



Description

Standing seam roofing panels have been used on traditional and contemporary homes for more than a century. Their clean, graceful lines have been an enduring favorite on a wide range of architecture. Advantage-Lok II is a premium standing seam panel that was designed with low profile ribs to increase strength and wind resistance. This product utilizes a high-strength snap-locking system and installs in the same manner as our original Advantage-Lok panels. It's a perfect choice for up-scale residential and commercial applications in severe weather areas.

Gauges

- 26, 24

Finish Options

- PVDF (Kynar®) and Siliconized Modified Polyester Paints Available
- Energy Star Certified Colors Available
- Unpainted Galvalume®

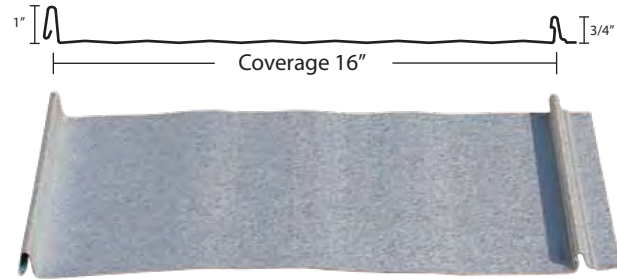
Approvals and Certifications

- Metal Construction Association Certified
- Miami-Dade Approved
- Florida Building Code Approved
- Energy Star Certified
- Highest UL Ratings for Wind Uplift, Fire and Impact Resistance



PANEL DETAILS

Rib Locking Detail



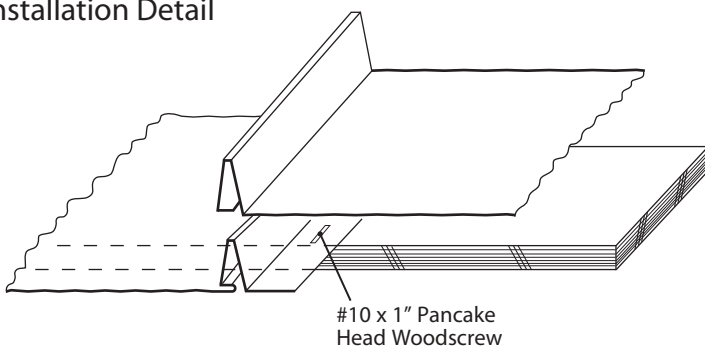
CERTIFICATIONS & TESTING

- Miami-Dade County NOA #11-0916.03
- Florida Building Code Approval FL7271.5 & FL15183.2
- UL 790 Fire Resistance Class A
- UL 2218 Impact Resistance Class 4
- UL 580 Uplift UL

INSTALLATION

Advantage-Lok II is a snap locking standing seam panel that's easy to install and ideal for residential and commercial applications. Panels are installed by fastening with pancake screws in the fastener dimple. The adjacent panel rib is simply snapped over the fastened panel which locks it into place and conceals the fasteners. Advantage-Lok II should be installed over solid decking with a minimum slope of 3:12.

Installation Detail



BEFORE BEGINNING INSTALLATION OF THIS PRODUCT, CHECK LOCAL BUILDING CODES.

** For more information, call (888) MTL-ROOF or visit our website at www.unionmetalroofing.com **